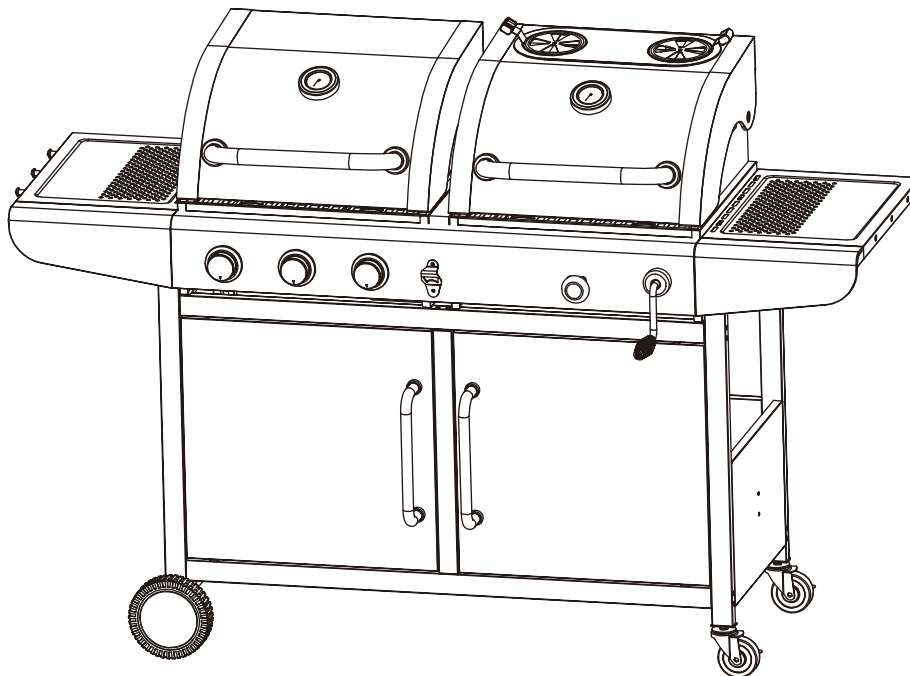


Premium Stainless Steel 3-Burner Gas/Charcoal Grill Combo ASSEMBLY GUIDE



Customer Service

📞 1-800-618-6798

FOR YOUR SAFETY!

Use outdoors only! Do not use it inside a building, garage, or any other enclosed space. Read the instructions before assembling and using the appliance.

DO NOT use the grill unless it is completely assembled, and all the parts are securely fastened. This grill will become very hot, do not move it during use. Keep away from children and pets.

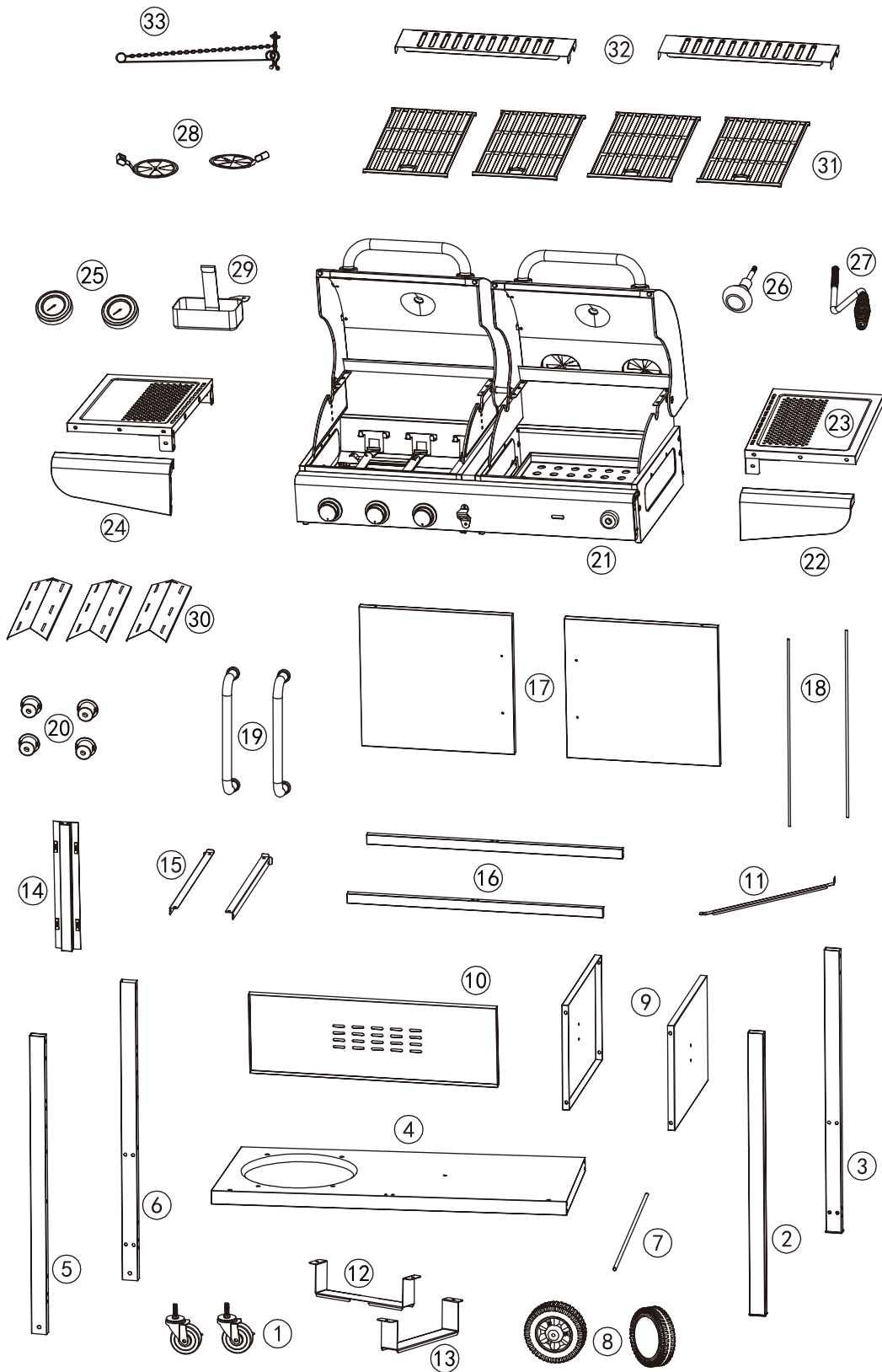
CONTACT US FIRST!

This grill has been made to high quality standards.

If you have any questions that are not addressed in this Owner's Manual, or you need parts, please call our customer service hotline or send an email to service@royalgourmetusa.com. Please keep this Owner's Manual for future reference.

Learn more at:

www.royalgourmetcorp.com



| Ref | Description | Illustration | QTY |
|-----|---|--------------|-----|
| 1. | Caster W-20130008 | | 2 |
| 2. | Right front leg H-20130007 | | 1 |
| 3. | Right back leg H-20130008 | | 1 |
| 4. | Bottom shelf Z-ZH2303035 | | 1 |
| 5. | Left front leg Z-20130003 | | 1 |
| 6. | Left back leg Z-20130001 | | 1 |
| 7. | Wheel axle W-20130023 | | 1 |
| 8. | Wheel & Rim cover W-20130010 W-20130009 | | 2 |
| 9. | Side panel Z-ZH2303040 | | 2 |
| 10. | Rear panel Z-ZH2302015 | | 1 |
| 11. | LP tank barrier bar Z-LG600029 | | 1 |
| 12. | LP tank brace (upper) Z-A3127-RGC | | 1 |
| 13. | LP tank brace (lower) Z-A3128-RGC | | 1 |
| 14. | Cabinet center stile Z-ZH2302016 | | 1 |
| 15. | Cart side beam Z-20130017 | | 2 |
| 16. | Cart beam H-ZH2302005 | | 2 |
| 17. | Door Z-ZH2303036 Z-ZH2303037 | | 2 |

| Ref | Description | Illustration | QTY |
|-----|---|--------------|-----|
| 18. | Door axle W-20130024 | | 2 |
| 19. | Door handle W-53650003 | | 2 |
| 20. | Handle sleeve W-A0403 | | 4 |
| 21. | Main body | | 1 |
| 22. | Right decoration board Z-51130002 | | 1 |
| 23. | Side table Z-ZH2303043 | | 2 |
| 24. | Left decoration board Z-51130001 | | 1 |
| 25. | Thermometer W-20130020 | | 2 |
| 26. | Damper knob W-DXL12021 W-DXL12022 | | 1 |
| 27. | Crank handle W-ZH2302002 W-R3005 | | 1 |
| 28. | Damper W-ZH300101 Z-ZH300104 | | 2 |
| 29. | Grease cup W-20130025 | | 1 |
| 30. | Flame tamer Z-ZH2303044 | | 3 |
| 31. | Cooking grate W-52930002 | | 4 |
| 32. | Warming rack Z-20120019 | | 2 |
| 33. | Ignition match W-GD430011 | | 1 |

| A | M5x55 | 22 pcs | B | M5x10 | 28 pcs | C | M4x8 | 2 pcs | D | Split pin | 3 pcs | E | Washer | 2 pcs |
|---|--------------|--------|---|-------|--------|---|-------|-------|---|-----------|-------|---|--------|-------|
| | | | | | | | | | | | | | | |
| F | Door pin cap | 2 pcs | G | M5 | 1 pc | H | M6x12 | 8 pcs | I | M6x34 | 3 pcs | J | Washer | 2 pcs |
| | | | | | | | | | | | | | | |

Before beginning assembly, make sure all parts are present. Compare parts with packaged contents list and diagram above. If any parts are missing or damaged, do not attempt to assemble the products. Contact customer service for replacement parts via telephone or email.



Phillips screwdriver



Wrench

- Estimated assembly time: 40 minutes
- Tools required for assembly:
Phillips Screwdriver (not included) and Wrench (not included)
- Note: The right and left sides of the grill are designed as if you are facing the front of the grill.

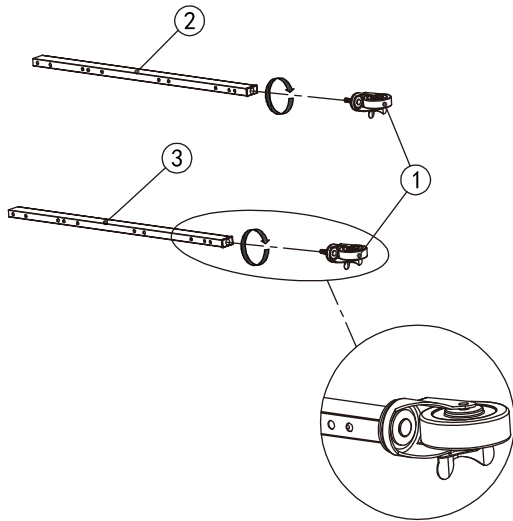


CALIFORNIA PROPOSITION 65 WARNING

1. Fuels used in charcoal and gas burning appliances and the combustion byproducts of such fuels, can expose you to chemicals including carbon black, which is known to the State of California to cause cancer, carbon monoxide, which is known to the State of California to cause birth defects or other reproductive harm.
2. This product can expose you to chemicals including nickel, which is known to the State of California to cause cancer. Handling the brass material on this product can expose you to lead, a chemical known to the State of California to cause cancer, birth defects or other reproductive harm.

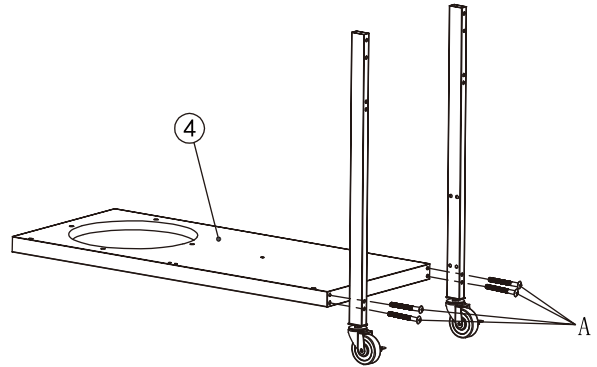
For more information go to: www.P65Warnings.ca.gov

Step 1



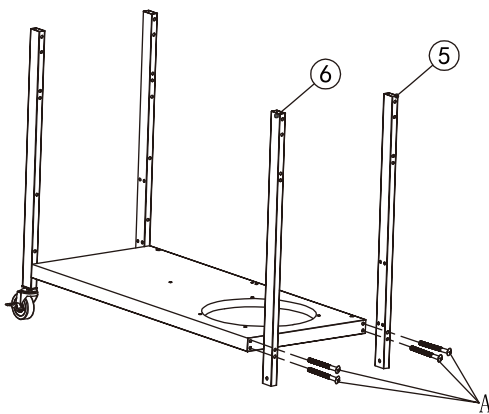
Assemble 2 casters (1) to the right legs (2), (3) by twisting clockwise.

Step 2



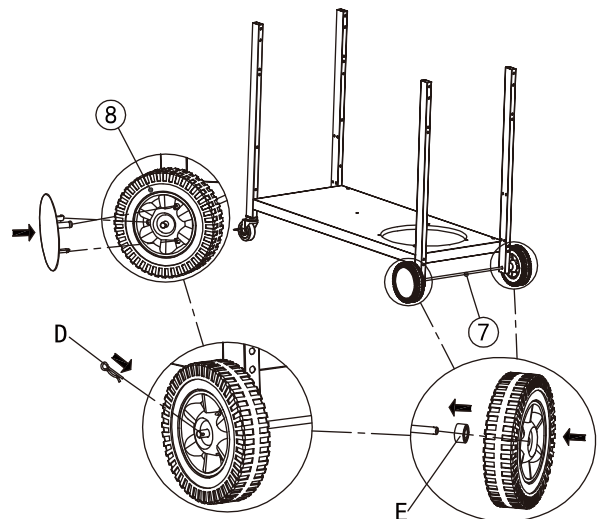
Assemble the right legs to the right side of the bottom shelf (4) with 4 bolts (A).
Please note: At this point, hand-tighten the bolts.

Step 3



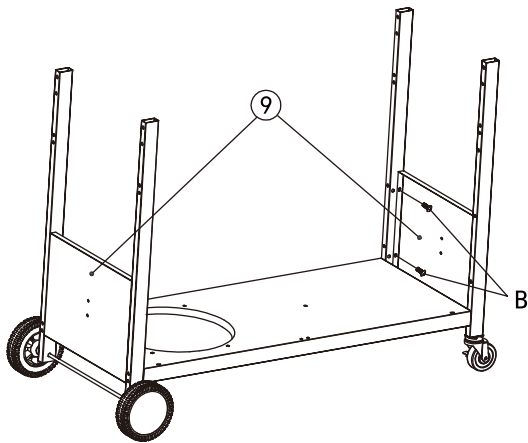
Assemble the left legs (5), (6) to the bottom shelf with 4 bolts (A).
Please note: At this point, hand-tighten the bolts.

Step 4



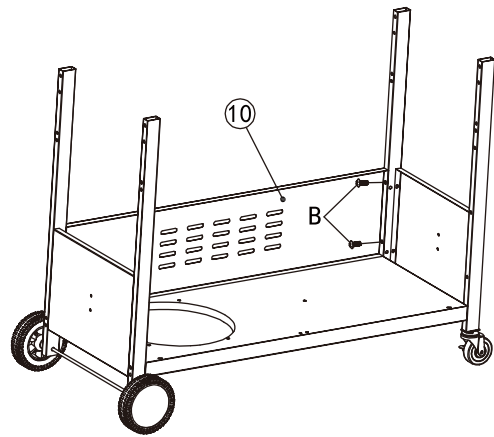
Slide the wheel axle (7) through the lower holes of the left leg assembly. Attach the wheel washer (E) and wheels (8) on the axle from both ends. Secure each wheel with a split pin (D). Attach the wheel rim covers back to the wheels.

Step 5



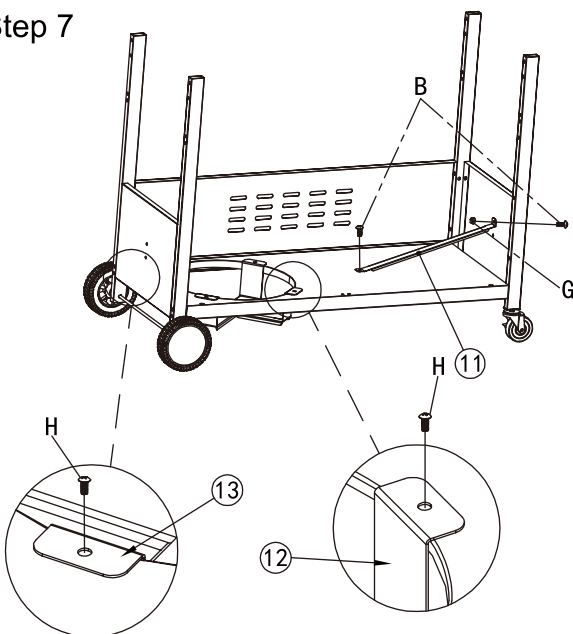
Assemble 2 side panels (9) to the lower holes of the left and right leg assemblies respectively with 8 bolts (B).

Step 6



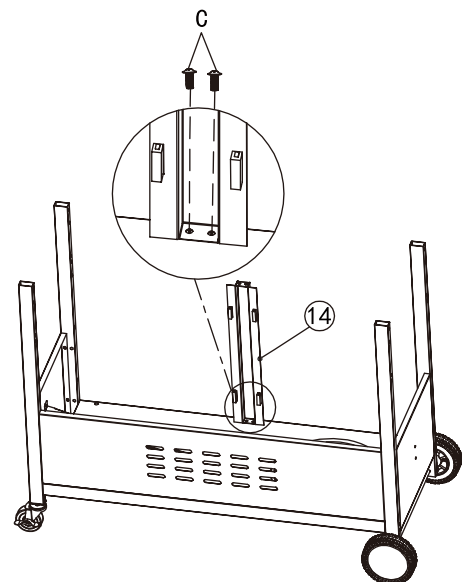
Assemble the rear panel (10) to the lower holes of back legs with 4 bolts (B).
Please note: At this point, tighten all the bolts using a screwdriver.

Step 7



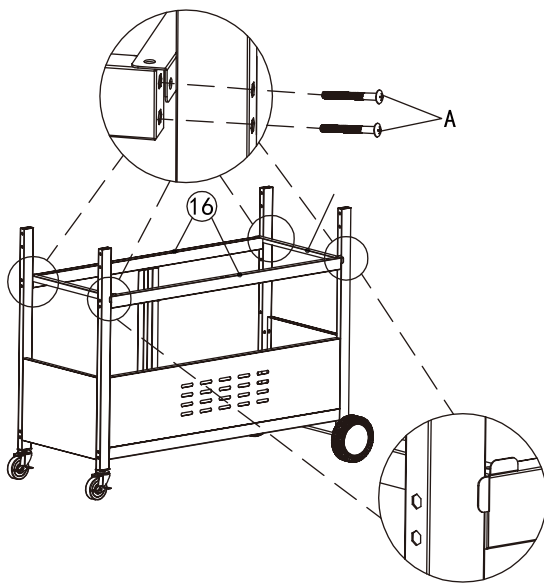
Secure one end of the LP tank barrier bar (11) to the hole on the right side panel with 1 bolt (B) and 1 nut (G), and fix the other end to the bottom shelf (2) with 1 bolt (B).
First, fix the lower LP tank brace (13) to the nesting hole with 2 bolt (H). Then, fix the upper LP tank brace (12) to the nesting hole above the upper base with 2 bolt (H).

Step 8



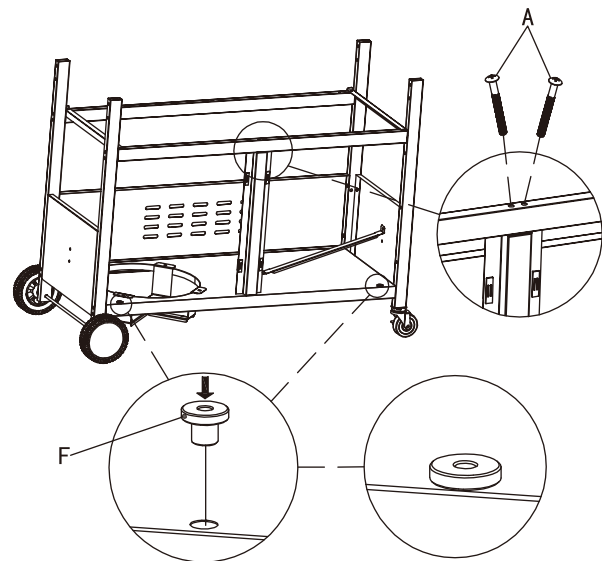
Assemble the cabinet center stile (14) to the bottom shelf with 2 bolts (C).

Step 9



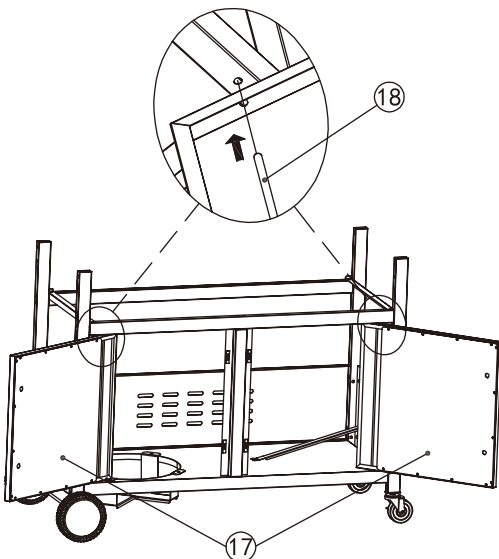
Assemble cart beams (16) and side beams (15) to the legs by 8 bolts (A).
Please note: Ensure that cart side beams are attached between the legs and cart beams.

Step 10



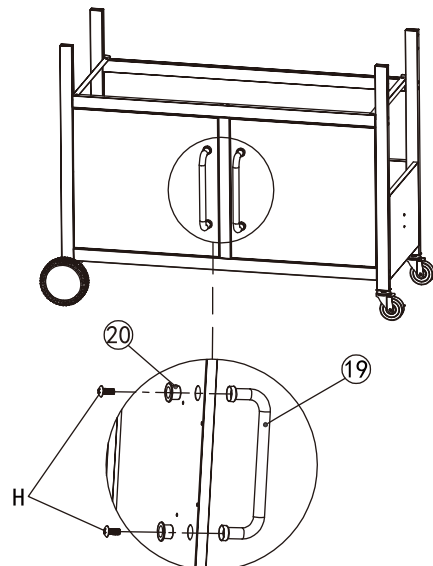
Insert two door pin caps (F) to the corresponding holes on the bottom shelf as shown.
Fix the cabinet center stile with the cart front beam with 2 bolts (A).

Step 11



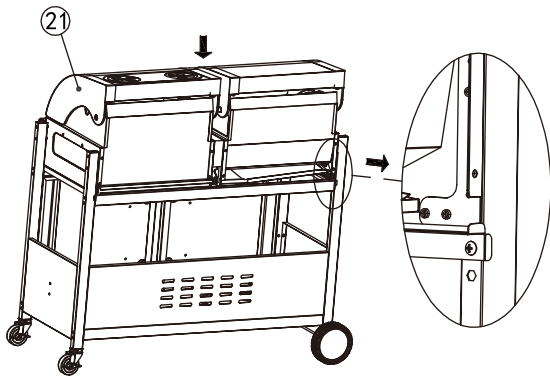
Install the doors (17) to the cart by inserting one end of the door axles (18) into the holes on the upper cart front beam, and the other end into the door pin cap on the bottom shelf.

Step 12



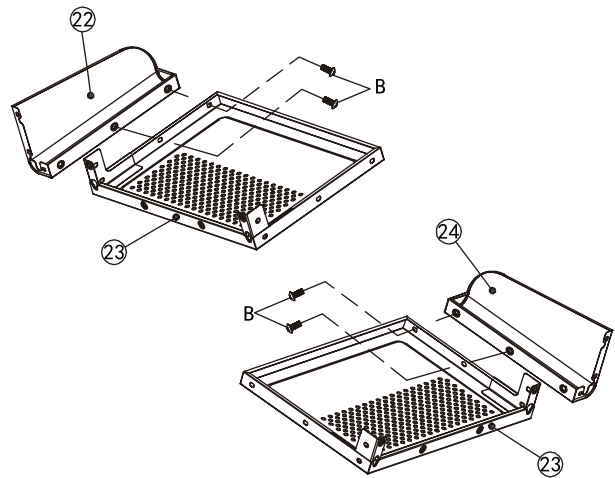
Assemble two door handles (19) and door sleeves (20) to doors with 4 bolts (H).

Step 13



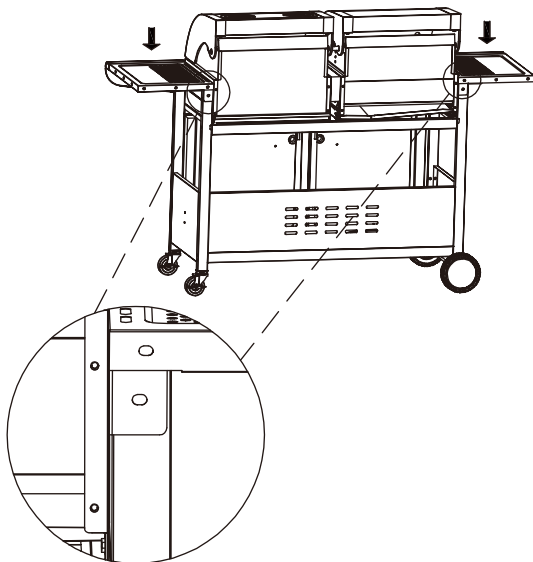
Align and place the main body (21) onto the cart.

Step 14



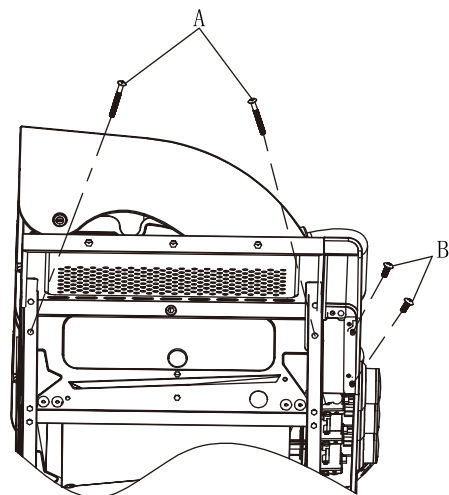
Assemble the decoration boards (23), (24) to side tables (23) with 4 bolts (B).

Step 15



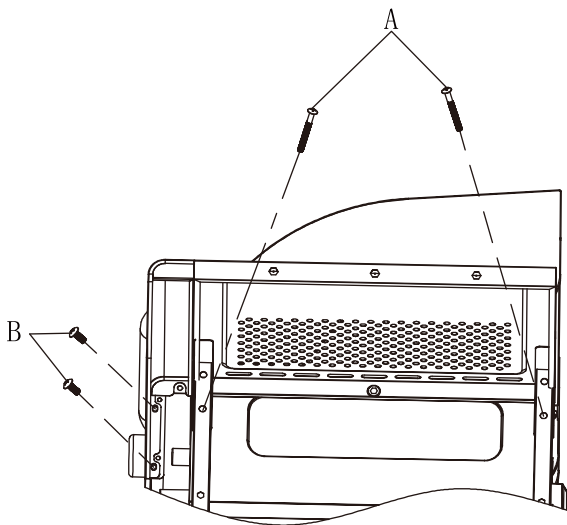
Attach the side table assemblies to both sides of the grill as shown.

Step 16



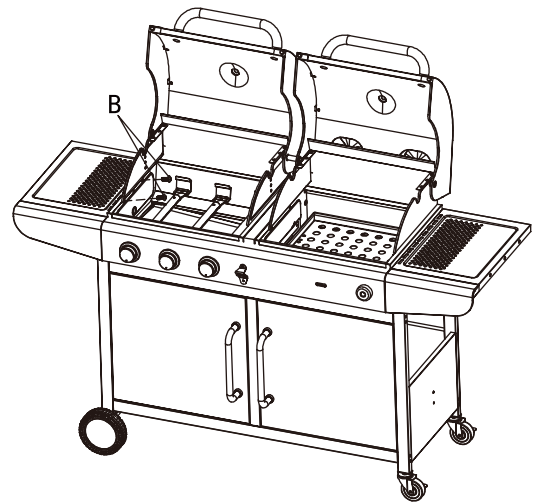
Reinforce the left side table with the main body with 2 bolts (A).
Reinforce the left decoration board to the control panel with 2 bolts (B).

Step 17



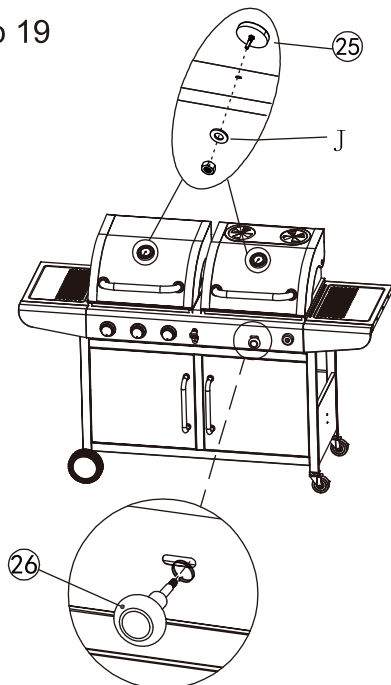
Reinforce the right side table with the main body with 2 bolts (A).
Reinforce the right decoration board to the control panel with 2 bolts (B).

Step 18



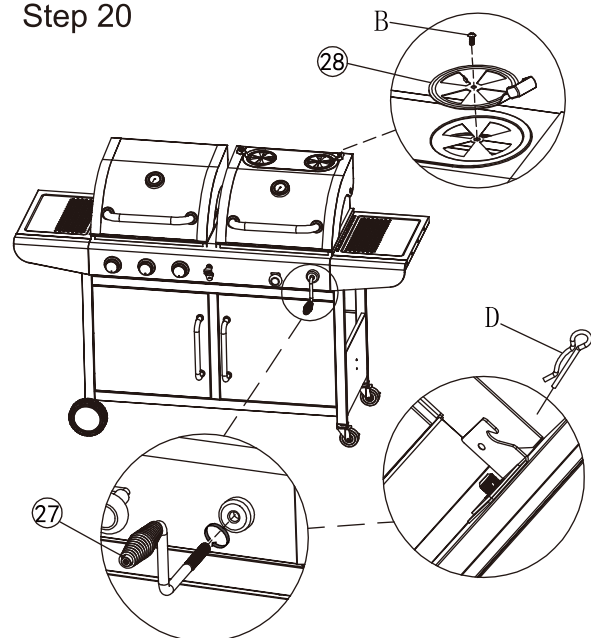
Fasten the side table assemblies from the inside of the main body with 4 bolts (B).

Step 19



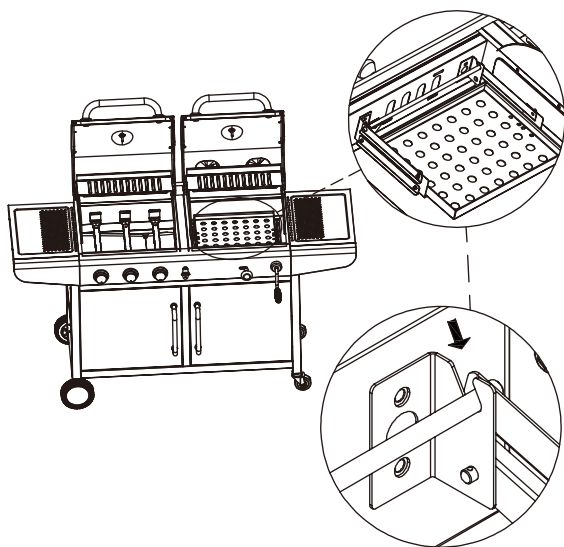
Install 2 thermometers (25) to the lids with 2 washers (J) and nuts.
Screw the damper knob (26) to the corresponding slot on the control panel by twisting clockwise.

Step 20



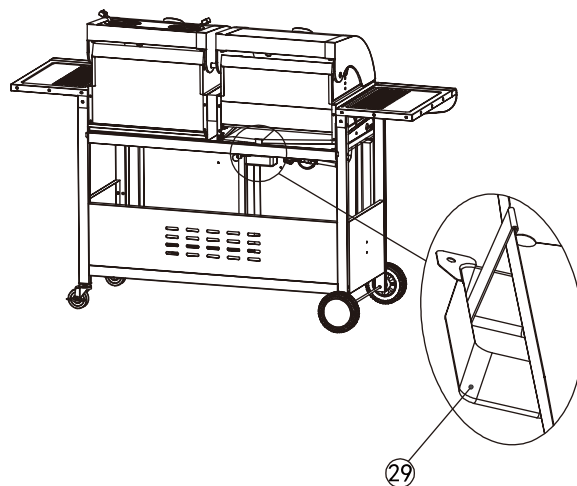
Install the dampers (28) to the charcoal lid with 2 bolts (B).
Screw the crank handle (27) to the corresponding hole on the control panel by twisting clockwise, and secure it with 1 split pin (D).

Step 21



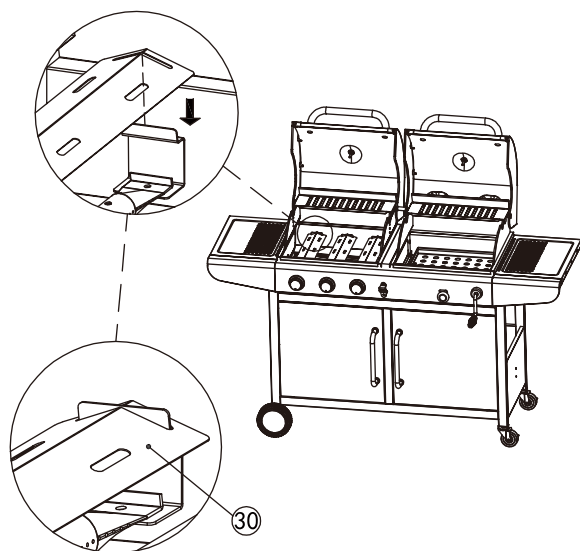
Adjust the charcoal pan to the right position as shown.

Step 22



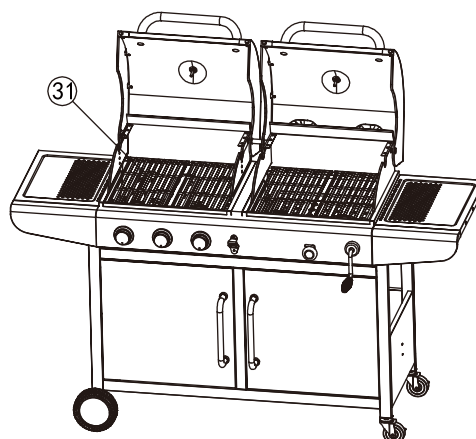
Hang the grease cup (29) to the corresponding hole underneath the main body.

Step 23



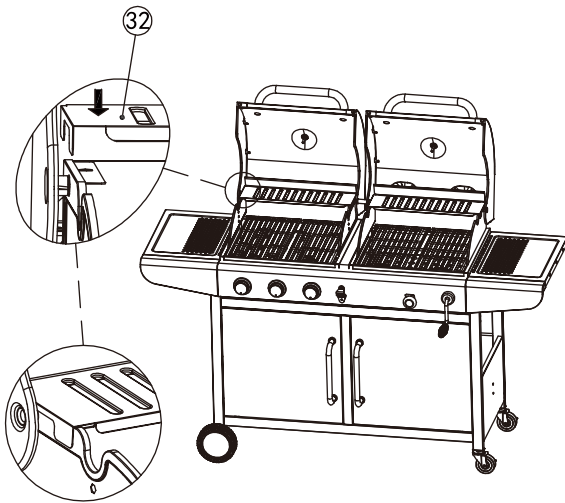
Place the flame tamers (30) into the left firebox.

Step 24



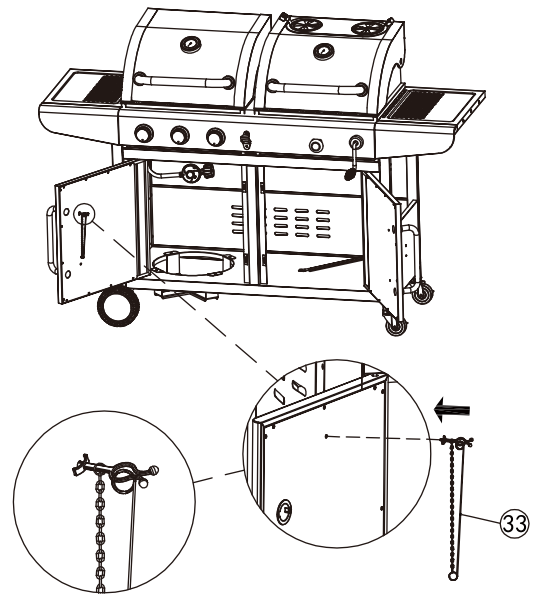
Place the cooking grates (31) into both fireboxes.

Step 25



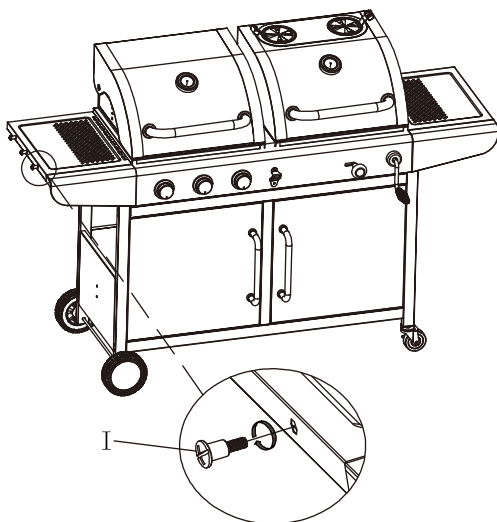
Attach the warming racks (32) between the lids and the fireboxes.

Step 26



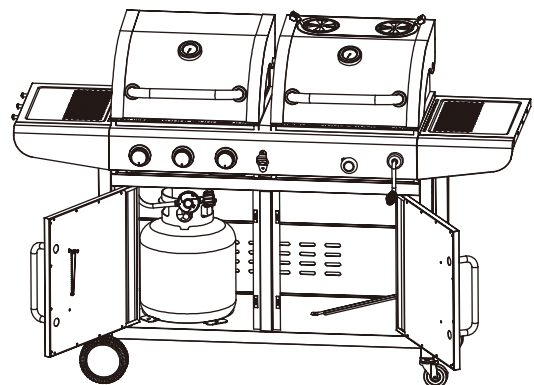
Install ignition match to the hole on the inner side of the left door.

Step 27



Screw 3 bolts (I) to the left side table.

Step 28



Fully assembled.